



DLD4305-ANU 43" TFT LCD, LED Backlight 1000nits, UHD(3840x2160)

The DLD4305-ANU is a 43 inch industrial grade sunlight readable LCD, with high brightness 1000 nits and high color saturation, it produce sharp images, crisp text and lifelike colors. The Durapixel LED backlight technology ensures high reliability and low power consumption, suitable for outdoor application, kiosk, factory automation, military, transportation and gaming application.

Key Features

- High Brightness 1000 nits
- Sunlight Readable
- LED Backlight
- Low Power Consumption
- BL MTBF: 100,000 hours



Specifications

Model Name	DLD4305-ANU V1
Description	43" TFT LCD, LED Backlight 1000 nits, UHD (3840x2160)
Screen Size	43"
Display Area (mm)	941.18(H) x 529.42(V)
Brightness	1000 cd/m ²
Resolution	3840x2160
Aspect Ratio	16 : 9
Contrast Ratio	4000 : 1
Pixel Pitch (mm)	0.49(H) x 0.49(V)
Pixel Pre Inch (PPI)	102
Viewing Angle	178°(H),178°(V)
Color Saturation (NTSC)	86%
Display Colors	1.07G
Response Time (Typical)	8ms
Panel Interface	V-by-One
AD Board Input Interface	DVI-D, HDMI, DP
Input Power	AC100~240V
Power Consumption	116.5W
OSD Key	5 Keys (Power Switch, Menu, +, Exit, -)
OSD Control	Brightness, Color, Contrast, Auto Turing, H/V Position...etc
Dimensions (mm)	973 x 567.3 x 69.9
Bezel Size(U/B/L/R)	16.9/16.9/13.9/13.9 mm
Mounting	400x100 mm
Weight (Net)	18 kg
Operating Temperature	0 °C ~ 50 °C
Storage Temperature	-20 °C ~ 60 °C

DLD= Panel + LED Driving Board + AD Control Board + Housing

Specifications are subject to change without notice.

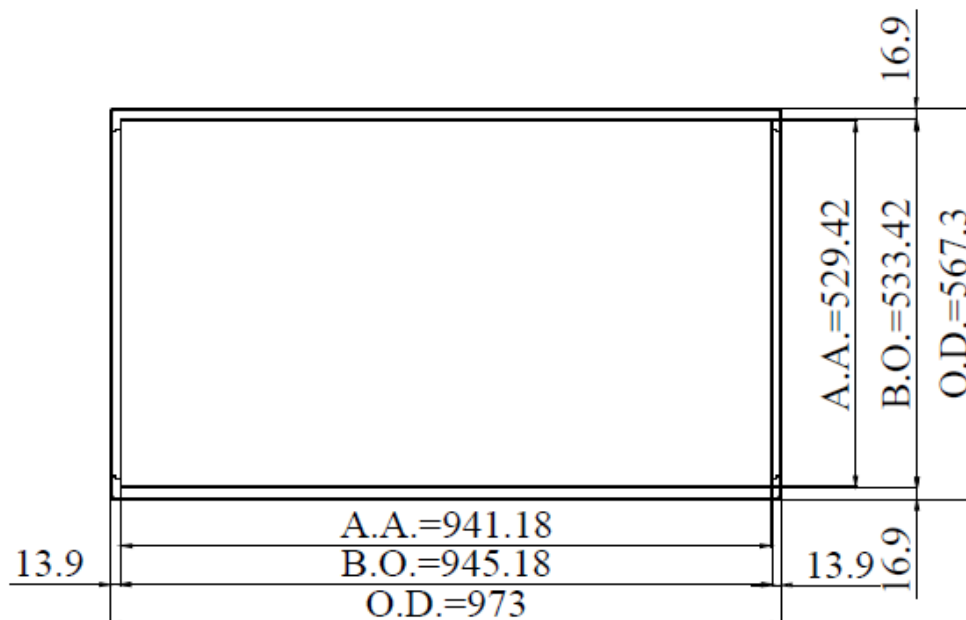
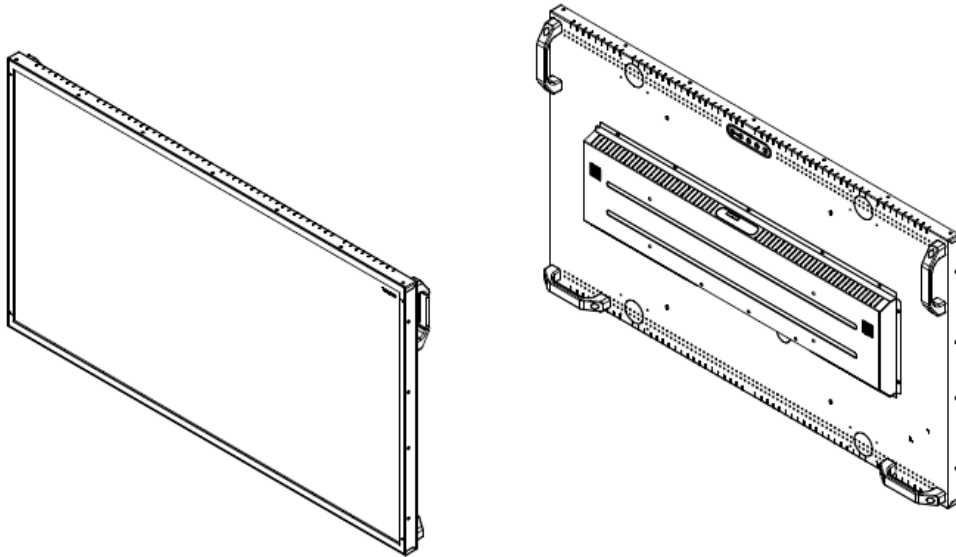
All brands or product names are trademarks or registered trademarks of their respective companies.

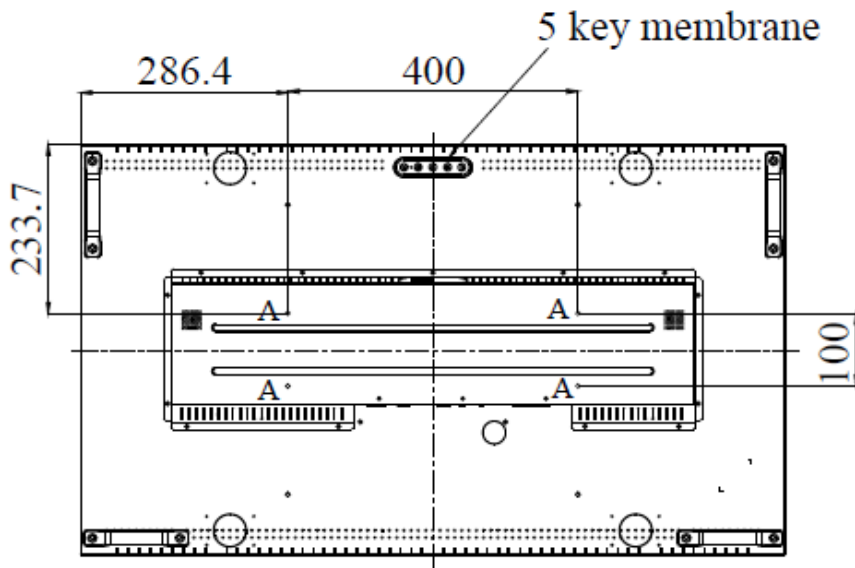
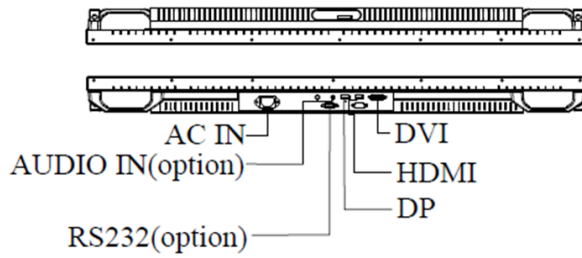
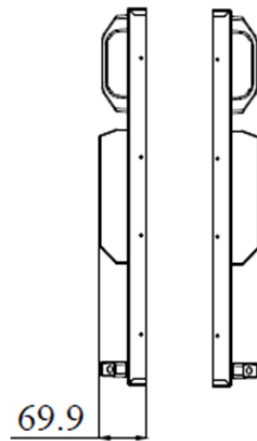


Mechanical Drawing

Outline Dimensions

Unit:mm





NOTE :
 O.D. : OUTLINE DIMENSION
 B.O. : BEZEL OPENING
 A.A. : LCD ACTIVE AREA

A : 4-M6_USER HOLE_MAX. DEPTH= 6 mm



Ordering Information

Part Number	Description
DLD4305-ANU-N01	43", 1000nits, 3840*2160, LID43C, AD2796DHP, O/B, AC100~240V, V1

Optional Accessories

Part Number	Description
810618301010	CABLE.POWER.AC.1830mm USA type
810618301090	CABLE,POWER,AC,1830mm Europe type
810618301050	CABLE.POWER.AC.1830mm UK type
810618301170	CABLE.POWER,AC,1830mm Australia type
810618301031	CABLE.POWER.AC.1830mm Japan type

Customer request

Touch	PCT (Multi-Touch)
Glass	Tempered glass, AR coating.....